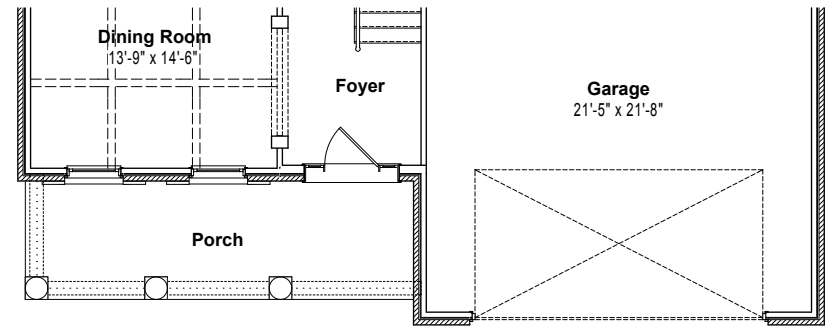
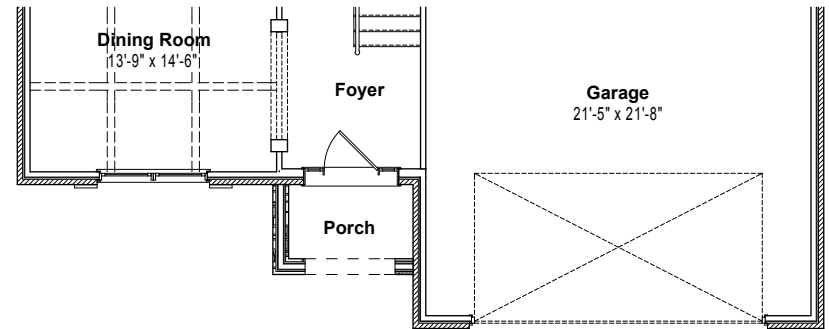


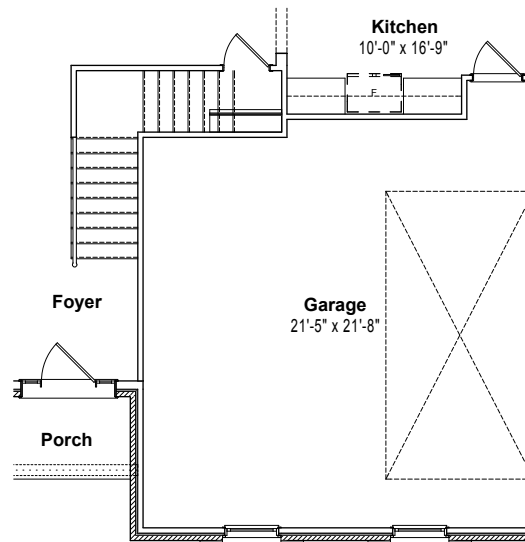
"A" 1st Floor Plan



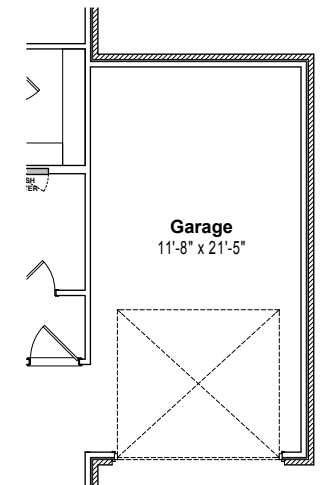
"B" 1st Floor Plan



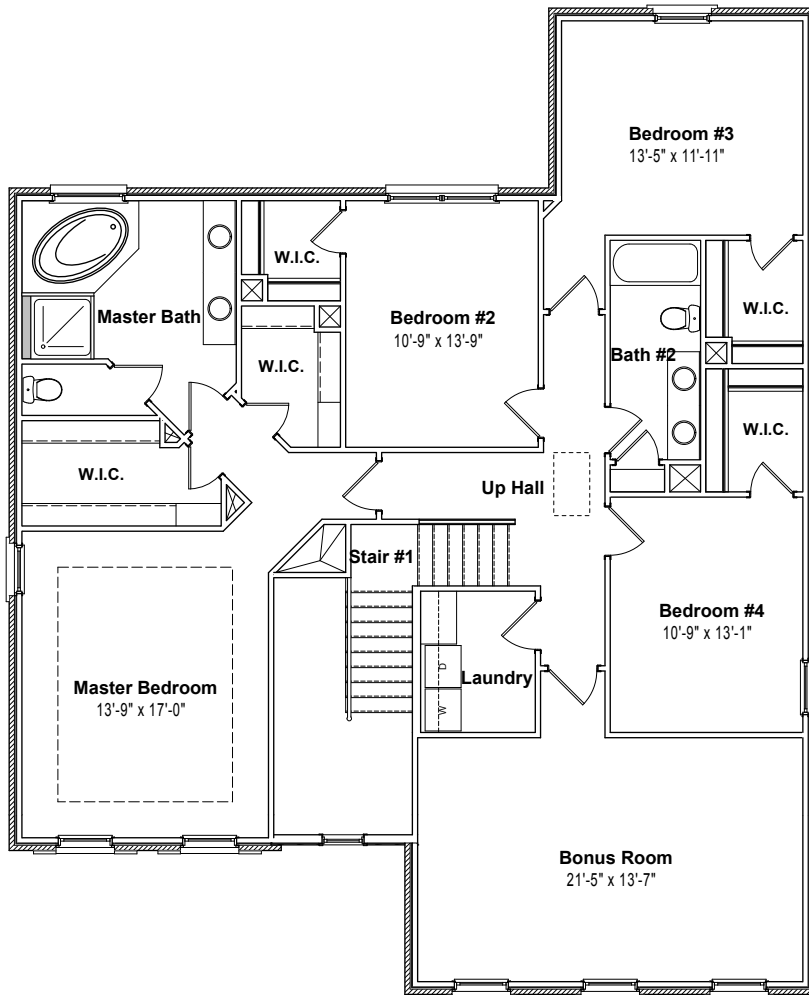
"C" 1st Floor Plan



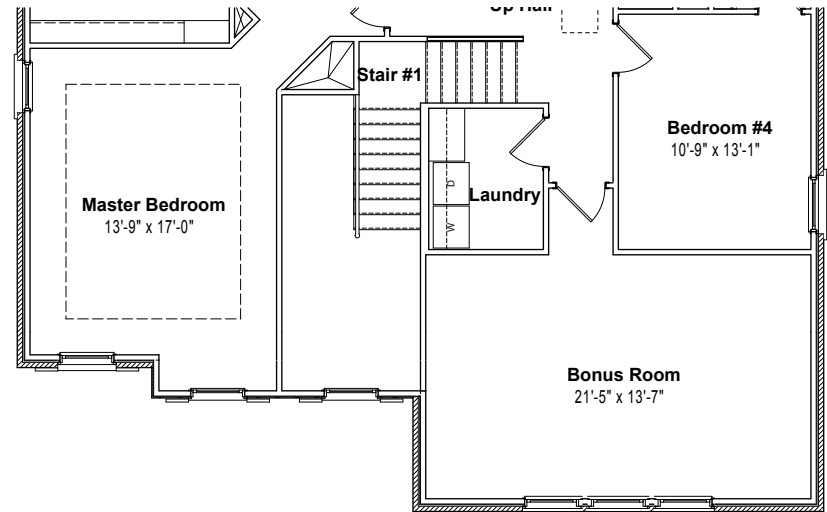
Side Entry



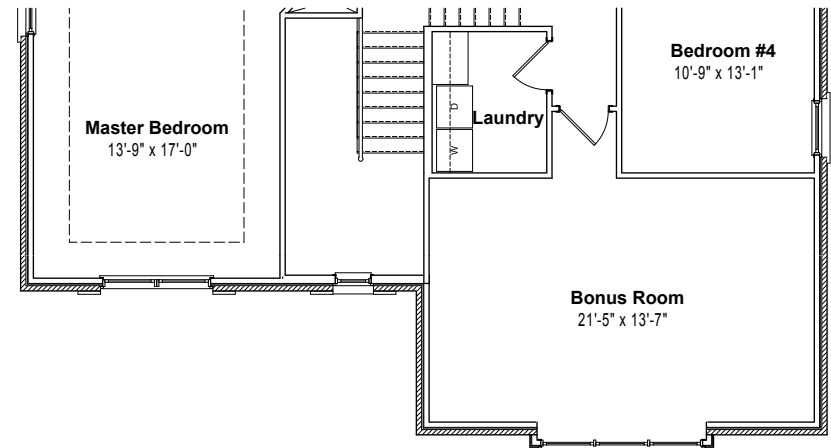
Opt. 3-Car Garage



"A" 2nd Floor Plan



"B" 2nd Floor Plan



"C" 2nd Floor Plan